

LEDWASH RGBW

COMPACT WASH FIXTURE DISTINCTIVE AND UNIQUE



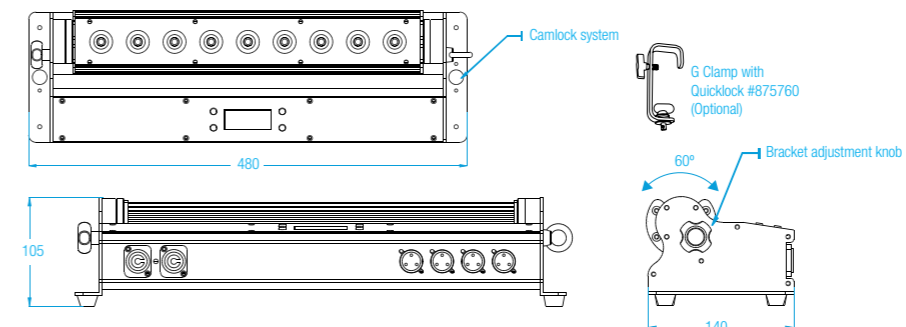
The CLF LEDwash RGBW is a compact wash fixture with a unique and distinctive design. The horizontal head can be manually adjusted 60°. Combined with the 50° beam angle of the lens, the LEDwash is the perfect solution for illuminating large surfaces like walls, curtains and horizons. The technologies prevent multicolor shadows and provide deep saturated colors. It is also possible to make the beam more diffused by using the included frost lens. The low and compact housing makes the fixture hardly noticeable. The fixture can be placed on the floor or mounted to truss structures by using two pieces of the CLF quicklock hanging clamps.

The CLF LEDwash contains 9 specially selected LEDs which provide deep and intense colors. The powerful LEDs provide extremely high output and ensure flicker-free operation for all types of TV and film use. RGBW and dimming can be controlled in 5 different DMX modes or by using the on-board menu. The fixture contains both powerCON in and out and can be connected with 3-pin and 5-pin XLR.

- INTENSE COLORS DUE TO SPECIALLY SELECTED LEDES
- CLEAR MENU STRUCTURE FOR OPERATION SETTINGS
- EXCEPTIONALLY SMOOTH COLOR MIXING
- TILT MANUALLY 60° ADJUSTABLE
- FLICKER FREE OPERATION
- POWERCON IN AND OUT



Height	Eavg,Emax	Angle: 52.80°	Diameter
3m	16.47,26.60fc 177.3,286.3lx		297.84cm
4m	9.264,14.96fc 99.72,161.1lx		397.12cm
5m	5.929,9.576fc 63.82,103.1lx		496.40cm
6m	4.117,6.650fc 44.32,71.58lx		595.69cm
7m	3.025,4.886fc 32.56,52.59lx		694.97cm



FACTSHEET

DMX channels	3, 4, 5, 6 or 11 channels
Beam angle	50°
Power supply	100 - 240 VAC
Power consumption	Max. 65 Watt
Cooling	Low noise fan
DMX connection	3 & 5p XLR in & out
Dimensions	480 x 140 x 105 mm (lxxwxh)
Weight	3,5 Kg
Certification	CE, RoHS
Item number	156200
Included items	Power cable, Frost & Clear lens
IP rating	IP22
Optional accessories	Flightcase